

Model
NC & DC SV

2/2 way, normally closed direct control solenoid valve

*The shokouh solenoid valve are produced in 2 basic models
 1- Line solenoid valve: a normally closed one-way, directing valve. It is suitable for use as shut-off or as interrupter valve.
 2- On pump solenoid valve: this type is suitable for mounting on the oil burner pumps and can shut-off oil flow through the pumps.*



■ General specifications

Port size: 1/4", 1/8"
 Orifice size: 1.5 ...2.5 mm
 Pressure range: 0 to 26 bar
 Fluids: pressurized air, water, liquid fuels and steam

■ Technical specifications

Materials & Ratings

Body material	Brass
Seal material	vitton
Maximum fluid temp	100°C
Maximum ambient temp	55°C
Burst pressure	90 bar

■ Fluid type

Air & water	S
Gasoline & light fuels	F
Nutral gases	N
Steam	V

■ Coil materials & electrical specifications

Coil cover	polyamide
Energizing duty (ED)	100%
Enameled wire insulation class	E (120°C)
Insulation protection	IP 65

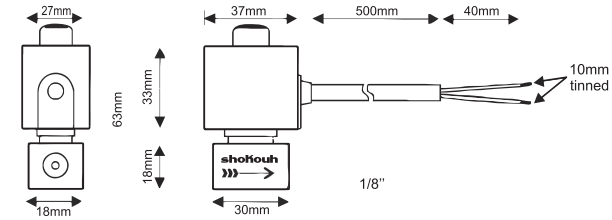
Valve code	Port size	Orifics size (mm)	Pressure range (bar)	L (min)	Appr. Weight (kg)
OL2	1/8"	1.5	0-26	1.2	0.225
OM1	1/8"	2.0	0-20	1.7	0.225
OM2	1/8"	2.5	0-16	2.6	0.225
ON1	1/4"	2.0	0-20	1.7	0.210
ON2	1/4"	2.5	0-16	2.6	0.210

Coil code	Nominal voltage (v)	Nominal power (w)	Volt-ampere (va)	Voltage tolerance
A1M	220V ac	10	14	15%
A2M	110V ac	10	13	15%
D1M	24V dc	8	8	10%
D2M	12V dc	8	8	10%

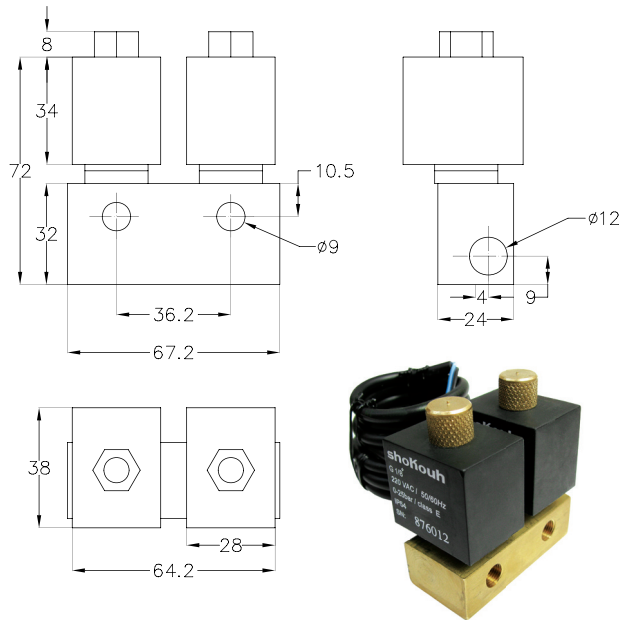
■ **Ordering information:**

Ordering code= valve code+fluid code+ coil code

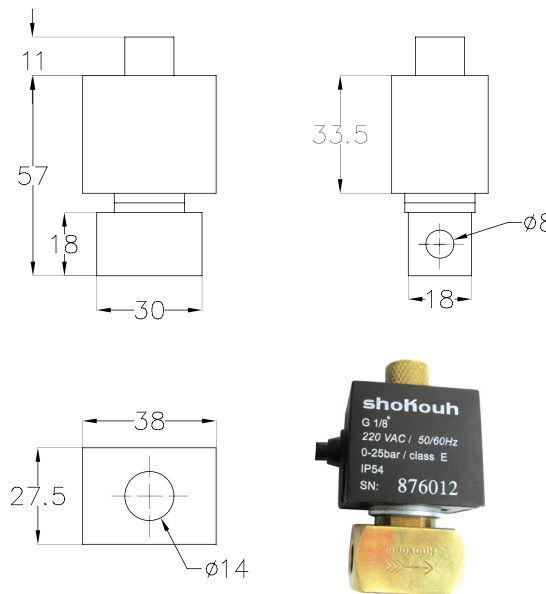
■ **Description**



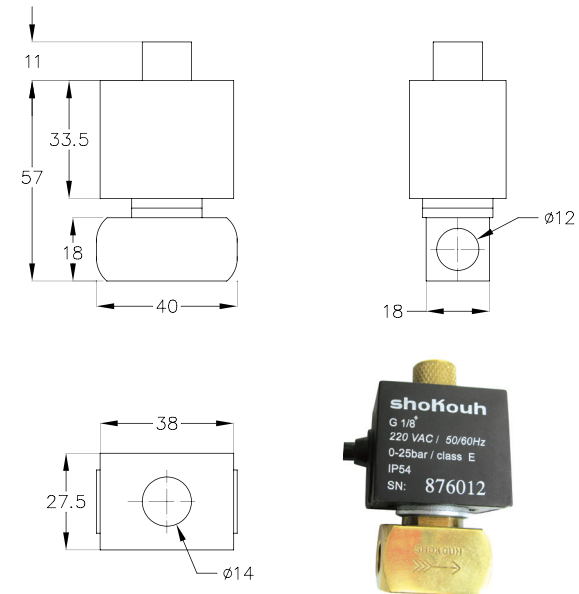
■ **Nc & Dc Sv Dimensions (mm)**



Dimension double stag Sv



Dimension Sv 1/8



Dimension solenoid valve 1/4