

Shokouh flame detection device for oil burners

Name

Photo resistors

■ Introduction

The all types of FZ photo resistor used to supervise (yellow/blue) burning oil. This flame monitoring device should be connected to a Shokouh or Satronic oil burner control box.

■ Installation instructions

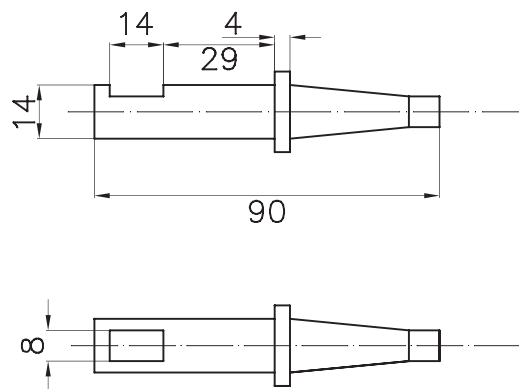
- The detector probe should be fitted so that it receives the light most directly and strongly
- No stary light mast be allowed to fall on the detector
- The detector probe should be fitted in such a way that the ambient temperature can not rise above 60°C.
- FZs probe can fixe in the special mounting flang.

■ Technical data

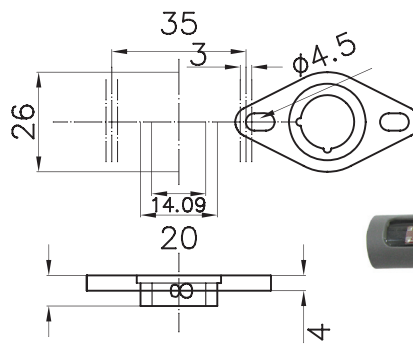
Model	FZ-AL		FZ-PL	
	Small	Big	Small	big
Case material	Aluminum	Aluminum	LDPE	LDPE
Permissible ambient temp	-20 ... +60°C	-20 ... +60°C	-20 ... +60°C	-20 ... +60°C
Dark chamber resistance	over 1M2Ω	over 1M5Ω	over 1M2Ω	over 1M5Ω
Proper flame resistance	≈ 500Ω	≈ 300Ω	≈ 500Ω	≈ 300Ω
Spectral response	400-700 nm	400-700 nm	400-700 nm	400-700 nm
Ton (ms)	50	35	50	35
Toft (ms)	30	28	30	28
Insulation standard	Ip44	Ip44	Ip44	Ip44
Mounting position	Any	Any	Any	Any
Flame yawing position	Side on or end on	Side on or end on	Side on or end on	Side on or end on



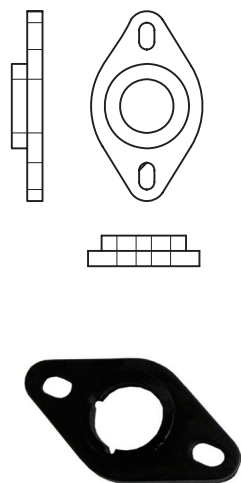
FZ-PL photo resistor



Holder for FZ-PL



Holder for FZ-PL



FZ-AL photo resistor

